

### Available for:

Deere 8000 Series  
Deere 9000 Series  
Cat 35-95 Series  
MT700-MT800 Series  
Lexion Harvesters

### PREMIUM QUALITY

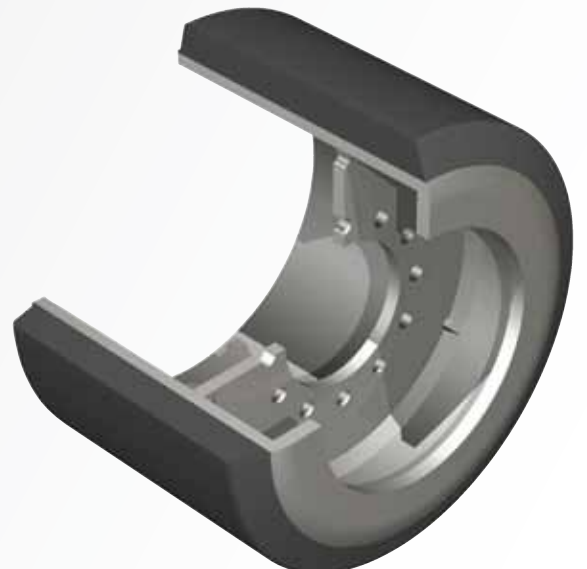
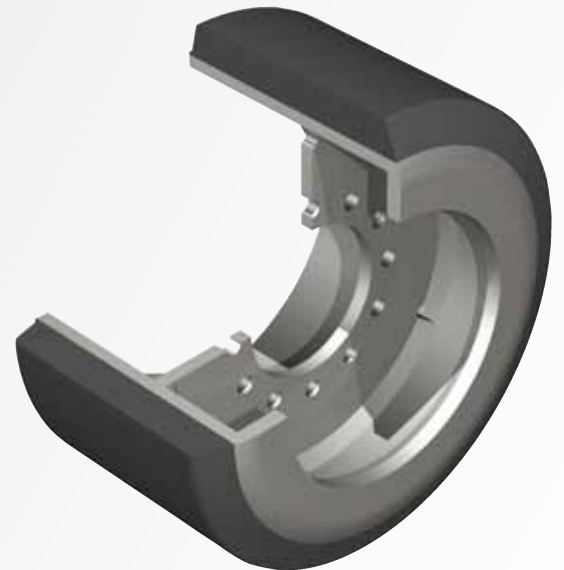
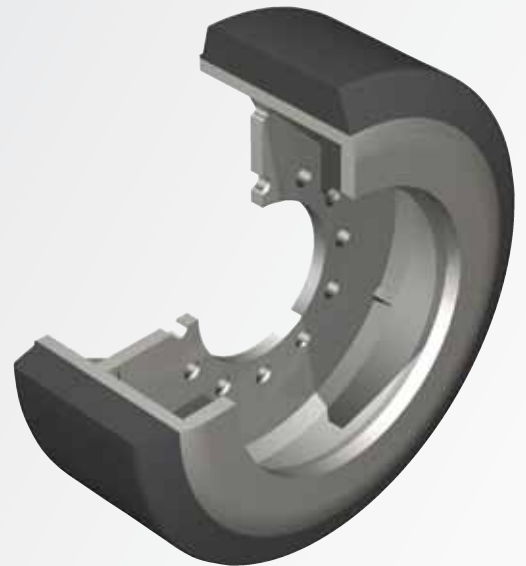
- Technology derived from Solideal's 25 years of industrial tire and wheel experience
- Rim guard prevents mud/debris buildup in the mid roller
- High grade steel and natural rubber compounds
- Wheel design reduces roller overheating

### DURABILITY

- Maximum tear and chunk resistance
- Rollers wear even and smooth for increased life

### OPTIMIZE MACHINE PERFORMANCE

- Using premium mid rollers from Solideal will increase life and machine performance
- Pair Solideal mid rollers with Solideal Ag tracks to get the ultimate undercarriage performance



# SOLIDEAL®

## Ag Mid Rollers

## RUBBER TRACKS



SIZE	Geometry		Recommended Track Width		Weight	
	OD	Width	Minimum	Maximum	lbs	kg
<b>John Deere T8000-series</b>		(12/tractor)				
14.6x4.5(12 1/2).(000)	14,6"	4,5"	16"	18"	33	15
14.6x8(12 1/2).(000)	14,6"	8"	24"	30"	60	27
14.6x9(12 1/2).(000)	14,6"	9"	25"	30"	66	30
<b>John Deere T9000-series</b>		(16/tractor)				
14.6x8(12 1/2).(001)	14,6"	8"	30"	30"	60	27
14.6x10(12 1/2).(001)	14,6"	10"	36"	36"	75	34
<b>CAT/Claas 35/45/55</b>		(12/tractor)				
14x5.5(11 3/4).(000)	14"	5,5"	16"	18"	45	20
14x8.5(11 3/4).(000)	14"	8,5"	24"	30"	66	30
14x10(11 3/4).(000)	14"	10"	25"	30"	78	35
<b>CAT/Claas 65/70/75/85/95</b>		(16/tractor)				
14.6x8(12 1/2).(002)	14.6"	8"	24"	25"	59.5	27
16.6x9(12 1/2).(002)	14.6"	9"	25"	27.5"	66.1	30
14.6x10(12 1/2).(002)	14.6"	10"	30"	32.5"	74.9	34
<b>AGCO/CAT Challenger MT700-series</b>		(12/tractor)				
14x5.5(11 3/4).(002)	14"	5,5"	16"	24"	45	20
14x8.5(11 3/4).(002)	14"	8,5"	24"	30"	66	30
14x10(11 3/4).(002)	14"	10"	25"	30"	78	35
<b>AGCO/CAT Challenger MT800-series</b>		(16/tractor)				
14x5.5(11 3/4).(002)	14"	5,5"	16"	24"	45	20
14x8.5(11 3/4).(002)	14"	8,5"	24"	30"	66	30
14x10(11 3/4).(002)	14"	10"	30"	36"	78	35

Mid rollers are often the most overlooked part of any undercarriage. It is however a critical part for your machine as it supports the full weight of the tractor. Replacing worn out mid rollers with Solideal parts will increase the life of your ag-tracks and preserve your machine's undercarriage.

### BEST COMPONENTS FOR BEST PERFORMANCE!

For more details, contact your Solideal dealer or visit [solideal.com](http://solideal.com)



Distributed by:



**SOLIDEAL®**