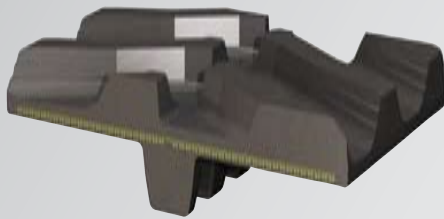


SOLIDEAL®

High Traction

RUBBER TRACKS



AG TRACKS

Tiger

STRENGTH

- Strong steel cables wound symmetrically for a true guide on the undercarriage
- Molded in guiding lugs and tread bars for maximum break off resistance

TRACTION

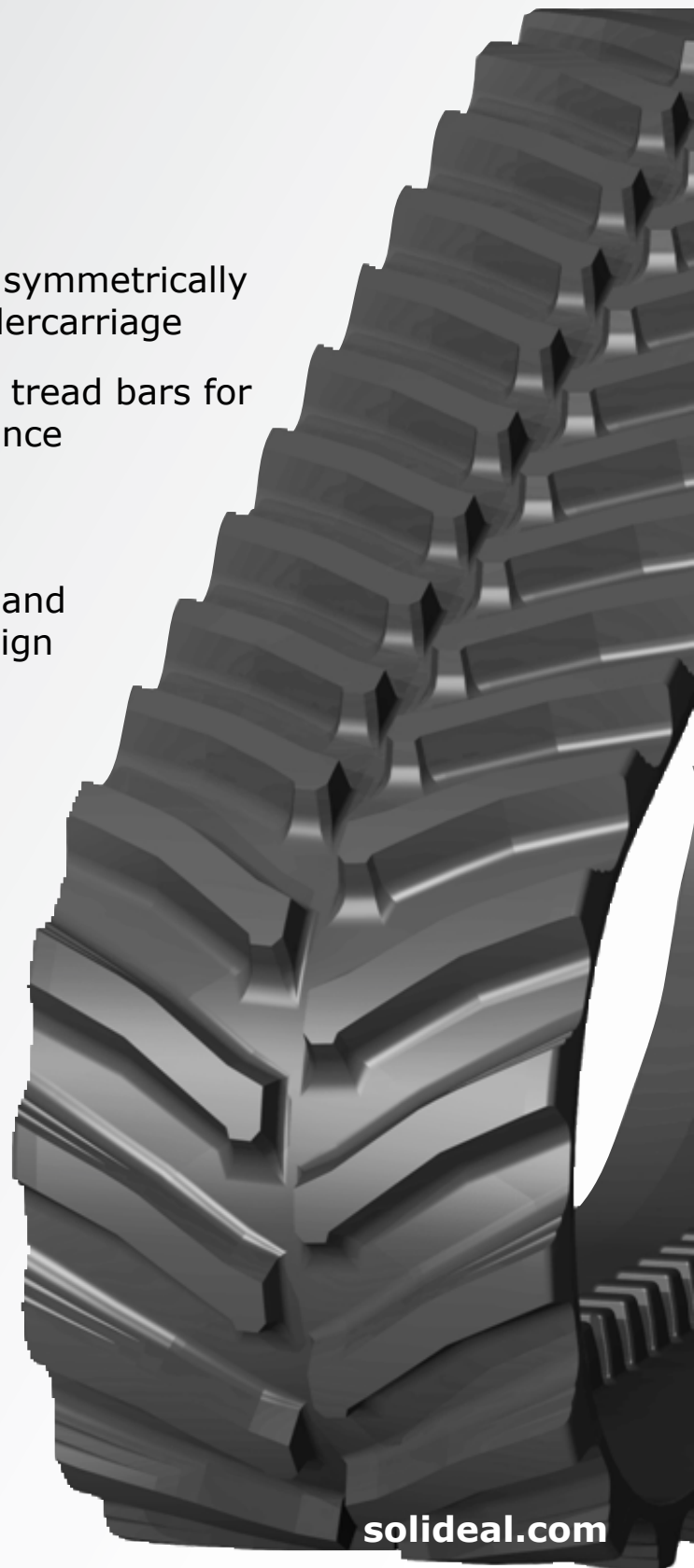
- 9" wide molded tread lugs and double angle tread bar design
- Excellent soil penetration
- Fuel economy and higher machine output

DURABILITY

- Heavy duty carcass for longer life and increased durability

SELF CLEANING TREAD

- Hauler step unique design



solideal.com



SOLIDEAL®

SOLIDEAL®

High Traction

RUBBER TRACKS



SIZE	Profile			Type	Guiding			Carcass		Plies	
	Width	Pitch	Depth		Pitch	O.G.T.	O.G.B.	G.H.	Middle		Side
John Deere T8000-series					Guiding GE 4,5" - Track Length 324"						
25"x36x9" Tiger (GE 4,5")	25"	9"	2,5" --> 3"	GE	4,5"	4,0"	5,9"	3,5"	1,5"	1,25"	5
30"x36x9" Tiger (GE 4,5")	30"	9"	2,5" --> 3"	GE	4,5"	4,0"	5,9"	3,5"	1,5"	1,25"	5
John Deere T9000-series					Guiding GQ 4,5" - Track Length 378"						
30"x42x9" Tiger (GQ 4,5")	30"	9"	2,5" --> 3"	GQ	4,5"	5,0"	7,3"	4,2"	1,5"	1,25"	5
36"x42x9" Tiger (GQ 4,5")	36"	9"	2,5" --> 3"	GQ	4,5"	5,0"	7,3"	4,2"	1,5"	1,25"	5
CAT/Claas 35/45/55					Guiding GF 4,5" - Track Length 315"						
25"x35x9" Tiger (GF 4,5")	25"	9"	2,5" --> 3"	GF	4,5"	3,3"	4,7"	4,0"	1,5"	1,25"	5
30"x35x9" Tiger (GF 4,5")	30"	9"	2,5" --> 3"	GF	4,5"	3,3"	4,7"	4,0"	1,5"	1,25"	5
CAT/Claas 65/70/75/85/95					Guiding GR 4,5" - Track Length 342"						
25"x38x9" Tiger (GR 4,5")	25"	9"	2,5" --> 3"	GR	4,5"	1,5"	4,0"	4,9"	1,5"	1,25"	5
30"x38x9" Tiger (GR 4,5")	30"	9"	2,5" --> 3"	GR	4,5"	1,5"	4,0"	4,9"	1,5"	1,25"	5
36"x38x9" Tiger (GR 4,5")	36"	9"	2,5" --> 3"	GR	4,5"	1,5"	4,0"	4,9"	1,5"	1,25"	5
AGCO/CAT Challenger MT700-series					Guiding GS 4,5" - Track Length 369"						
25"x41x9" Tiger (GS 4,5")*	25"	9"	2,5" --> 3"	GS	4,5"	3"	5"	4,7"	1,5"	1,25"	5
30"x41x9" Tiger (GS 4,5")*	30"	9"	2,5" --> 3"	GS	4,5"	3"	5"	4,7"	1,5"	1,25"	5
AGCO/CAT Challenger MT800-series					Guiding GT 4,5" - Track Length 396"						
25"x44x9" Tiger (GT 4,5")*	25"	9"	2,5" --> 3"	GT	4,5"	4"	6"	5"	1,5"	1,25"	5
30"x44x9" Tiger (GT 4,5")*	30"	9"	2,5" --> 3"	GT	4,5"	4"	6"	5"	1,5"	1,25"	5
36"x44x9" Tiger (GT 4,5")*	36"	9"	2,5" --> 3"	GT	4,5"	4"	6"	5"	1,5"	1,25"	5

* Coming soon

Guiding geometry



O.G.T. Outer Guide Top (width)
 O.G.B. Outer Guide Bottom (width)
 G.H. Guiding Height

BUILT STRONG TO HELP YOU GET THE JOB DONE!

For more details, contact your Solideal dealer or visit solideal.com

Distributed by:

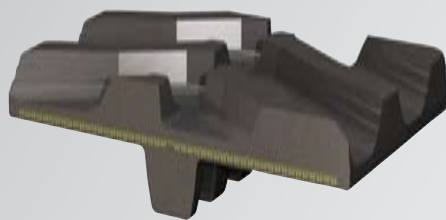


SOLIDEAL®

SOLIDEAL®

High Mileage

RUBBER TRACKS



AG TRACKS

Leopard

STRENGTH

- Strong steel cables wound symmetrically for a true guide on the undercarriage
- Molded in guiding lugs and tread bars for maximum break off resistance

FLOATATION & TRACTION

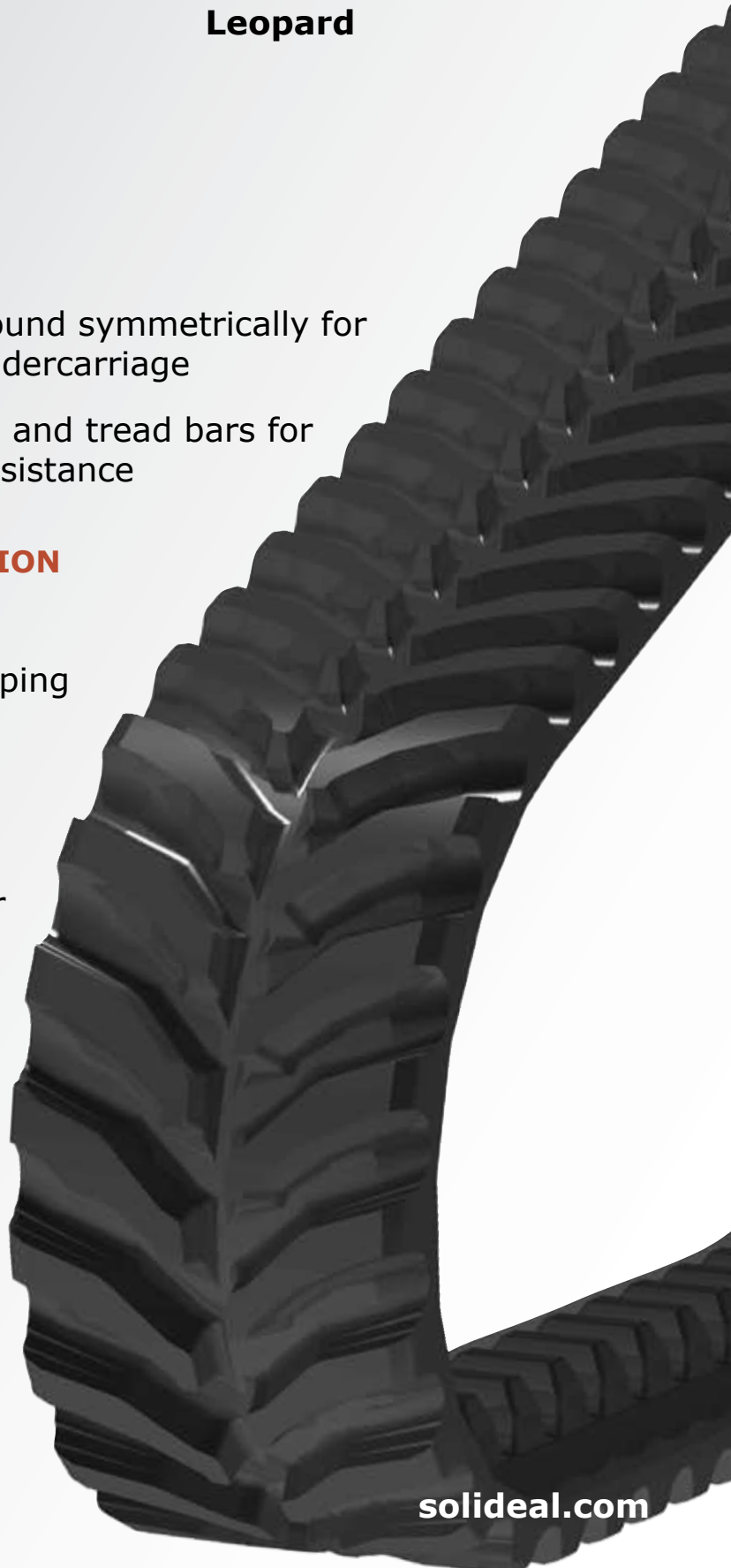
- 3" deep tread lugs
- Designed for row-cropping and general tillage applications

COMFORT

- Triple angled tread bar
- 33% positive contact area
- Excellent when travelling on the road between jobs

SELF CLEANING TREAD

- Hauler step unique design



solideal.com



SOLIDEAL®

SOLIDEAL®

High Mileage

RUBBER TRACKS



SIZE	Profile			Guiding				Carcass		Plies		
	Width	Pitch	Depth	Type	Pitch	O.G.T.	O.G.B.	G.H.	Middle		Side	
John Deere T8000-series				Guiding GE 6" - Track Length 324"								
16"x54x6"	Leopard (GE 6")	16"	6"	2,25" -->2,5"	GE	6"	4,0"	5,9"	3,5"	1,25"	1"	4
18"x54x6"	Leopard (GE 6")	18"	6"	2,25" -->2,5"	GE	6"	4,0"	5,9"	3,5"	1,25"	1"	4
24"x54x6"	Leopard (GE 6")	24"	6"	2,25" -->2,5"	GE	6"	4,0"	5,9"	3,5"	1,25"	1"	4
30"x54x6"	Leopard (GE 6")	30"	6"	2,25" -->2,5"	GE	6"	4,0"	5,9"	3,5"	1,25"	1"	4
John Deere T9000-series				Guiding GQ 6" - Track Length 378"								
30"x63x6"	Leopard (GQ 6")	30"	6"	2,25" -->2,5"	GQ	6"	5,0"	7,3"	4,2"	1,25"	1"	4
36"x63x6"	Leopard (GQ 6")	36"	6"	2,25" -->2,5"	GQ	6"	5,0"	7,3"	4,2"	1,25"	1"	4
CAT/Claas 35/45/55				Guiding GF 6" - Track Length 318"								
16"x53x6"	Leopard (GF 6")	16"	6"	2,25" -->2,5"	GF	6"	3,3"	4,7"	4,0"	1,25"	1"	4
18"x53x6"	Leopard (GF 6")	18"	6"	2,25" -->2,5"	GF	6"	3,3"	4,7"	4,0"	1,25"	1"	4
24"x53x6"	Leopard (GF 6")	24"	6"	2,25" -->2,5"	GF	6"	3,3"	4,7"	4,0"	1,25"	1"	4
30"x53x6"	Leopard (GF 6")	30"	6"	2,25" -->2,5"	GF	6"	3,3"	4,7"	4,0"	1,25"	1"	4
CAT/Claas 65/70/75/85/95				Guiding GR 6" - Track Length 342"								
24"x57x6"	Leopard (GR 6")	24"	6"	2,25" -->2,5"	GR	6"	1,5"	4,0"	4,9"	1,25"	1"	4
30"x57x6"	Leopard (GR 6")	30"	6"	2,25" -->2,5"	GR	6"	1,5"	4,0"	4,9"	1,25"	1"	4
36"x57x6"	Leopard (GR 6")	36"	6"	2,25" -->2,5"	GR	6"	1,5"	4,0"	4,9"	1,25"	1"	4
AGCO/CAT Challenger MT700-series				Guiding GS 6" - Track Length 372"								
16"x62x6"	Leopard (GS 6") *	16"	6"	2,25" -->2,5"	GS	6"	3"	5"	4,7"	1,25"	1"	4
18"x62x6"	Leopard (GS 6") *	18"	6"	2,25" -->2,5"	GS	6"	3"	5"	4,7"	1,25"	1"	4
24"x62x6"	Leopard (GS 6") *	24"	6"	2,25" -->2,5"	GS	6"	3"	5"	4,7"	1,25"	1"	4
30"x62x6"	Leopard (GS 6") *	30"	6"	2,25" -->2,5"	GS	6"	3"	5"	4,7"	1,25"	1"	4
AGCO/CAT Challenger MT800-series				Guiding GT 6" - Track Length 396"								
24"x66x6"	Leopard (GT 6") *	24"	6"	2,25" -->2,5"	GT	6"	4"	6"	5"	1,25"	1"	4
30"x66x6"	Leopard (GT 6") *	30"	6"	2,25" -->2,5"	GT	6"	4"	6"	5"	1,25"	1"	4
36"x66x6"	Leopard (GT 6") *	36"	6"	2,25" -->2,5"	GT	6"	4"	6"	5"	1,25"	1"	4

* Coming Soon

BUILT STRONG TO HELP YOU GET THE JOB DONE!

For more details, contact your Solideal dealer or visit solideal.com

Distributed by:



SOLIDEAL®

SOLIDEAL®

Mid Rollers

RUBBER TRACKS

New in 2007!

AG TRACK Mid Rollers

PREMIUM QUALITY

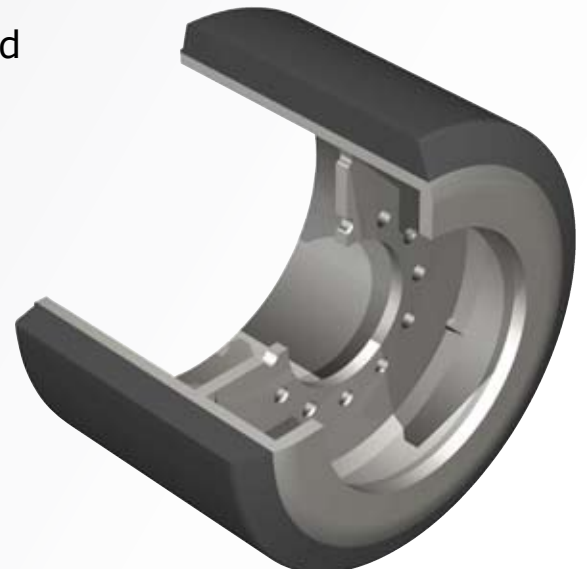
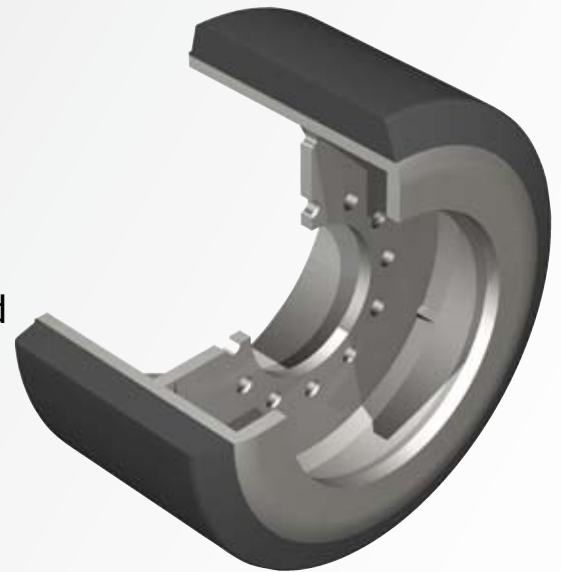
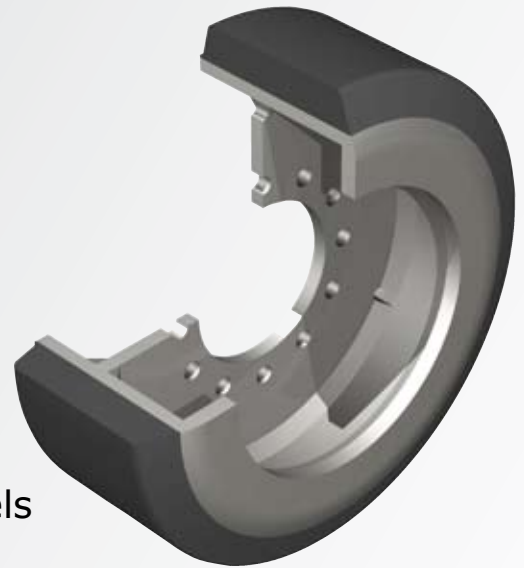
- Technology based on Solideal's expertise in industrial tires and wheels
- High steel grade and best natural rubber compounds
- Available in three different widths

DURABILITY

- Maximum resistance to tearing and chunking
- Even and smooth wear

OPTIMIZE MACHINE PERFORMANCE

- Essential components of the undercarriage, using premium mid rollers will increase track life and machine performance



SOLIDEAL®

solideal.com

SOLIDEAL®

Mid Rollers

RUBBER TRACKS



SIZE	Geometry		Recommended Track Width		Weight	
	OD	Width	Minimum	Maximum	lbs	kg
John Deere T8000-series (12/tractor)						
14.6x4.5(12 1/2).(000)	14,6"	4,5"	16"	18"	33	15
14.6x8(12 1/2).(000)	14,6"	8"	24"	30"	60	27
14.6x9(12 1/2).(000)	14,6"	9"	25"	30"	66	30
John Deere T9000-series (16/tractor)						
14.6x8(12 1/2).(001)	14,6"	8"	30"	30"	60	27
14.6x10(12 1/2).(001)	14,6"	10"	36"	36"	75	34
CAT/Claas 35/45/55 (12/tractor)						
14x5.5(11 3/4).(000)	14"	5,5"	16"	18"	45	20
14x8.5(11 3/4).(000)	14"	8,5"	24"	30"	66	30
14x10(11 3/4).(000)	14"	10"	25"	30"	78	35
CAT/Claas 65/70/75/85/95 (16/tractor)						
15x9.5(342).(003)	15"	9,5"	24"	36"	74	34
AGCO/CAT Challenger MT700-series (12/tractor)						
14x5.5(11 3/4).(002)	14"	5,5"	16"	24"	45	20
14x8.5(11 3/4).(002)	14"	8,5"	24"	30"	66	30
14x10(11 3/4).(002)	14"	10"	25"	30"	78	35
AGCO/CAT Challenger MT800-series (16/tractor)						
14x5.5(11 3/4).(002)	14"	5,5"	16"	24"	45	20
14x8.5(11 3/4).(002)	14"	8,5"	24"	30"	66	30
14x10(11 3/4).(002)	14"	10"	30"	36"	78	35
CAT Lexion Harvester - Claas CIT Units (4/unit)						
14x8.5(11 3/4).(001)	14"	8,5"	24"	30"	67	30
14x10(11 3/4).(001)	14"	10"	30"	36"	78	36

Mid rollers are often the most overlooked part of any undercarriage. It is however a critical part for your machine as it supports the full weight of the tractor. Replacing worn out mid rollers with Solideal parts will increase the life of your ag-tracks and preserve your machine's undercarriage.

BEST COMPONENTS FOR BEST PERFORMANCE!

For more details, contact your Solideal dealer or visit solideal.com



Distributed by:



SOLIDEAL®